



HDZ 系列热室压铸机
HDZ Hot Chamber Die Casting Machine

HDZ30 – HDZ400



宁波保税区海天智胜金属成型设备有限公司
Ningbo Free Trade Zone Haitian Zhisheng Die Casting Equipment Co., Ltd.

地址: 浙江省宁波市北仑区大碶街道灵山路8-1号
ADD: No.8-1 Lingshan Road, Daqi, Beilun, Ningbo, Zhejiang
邮编 Zipcode: 315806
电话 Tel: +86-574-86185710
传真 Fax: +86-574-86185710
E-Mail: haitiandc@mail.haitian.com



Haitian Die Casting MILESTONES



Haitian Die Casting ABOUT US

宁波保税区海天智胜金属成型设备有限公司是海天集团旗下产业之一，秉承海天集团半个世纪以来的精密设备制造和管理理念，坚持技术创新、合作共赢，为客户提供性价比优越的高端压铸成套设备和全套解决方案。

Haitian Die Casting is one of six business units of the globally positioned Haitian Group, the world's leading supplier of injection molding machines, CNC lines and smart solutions for intelligent manufacturing. Building on traditional roots and a value system focused on sustainability, the Haitian Die Casting team can draw on profound experience in the design and manufacture of manufacturing equipment.

2021年，海天金属位于宁波北仑的全新生产基地投入使用，项目总投资 1.6 亿美元，占地面积 139 亩，专门用于生产压铸机和镁合金注射成型机，年产能可达4000台。此外，该基地还设有海天金属全球应用中心，是一个集超大型压铸试模、人员培训等服务于一体的高端应用平台。

Haitian Die Casting has in-depth knowledge of modern die casting technology and has been successful in the market with its die casting machines for many years. To meet the rapidly growing market demand, a new plant with total investment of USD 160 Mio and 139 hectares of production area was commissioned in 2021 in Beilun Ningbo, China. The plant has a capacity of up to 4,000 machines per year. In addition, the company also offer the mold testing, application and trainings for ultra large die casting machines at its international application center.



HDZ at a glance

HDZ 概览

HDZ 系列热室压铸机

HDZ SERIES HOT CHAMBER DIE CASTING MACHINE

- 高性能：最大空射速度 $\geq 6\text{m/s}$
- 头板、二板采用箱体或筋板式结构，刚度高而重量轻
- 液压齿轮调模，操作简单，位置控制设定精度达 0.1mm
- 采用最新 MH-6117 电脑控制，动态显示，最大可储存 150 组模具数据，且故障时自动报警并显示故障位置，方便检查及维修
- 特快锁模功能，生产周期短、效率高
- 自动中央润滑，机铰更强劲耐用
- 可靠耐用的欧日名牌液压元件

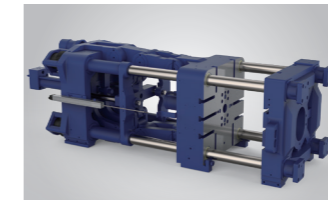
- 独有的油温检测仪，确保平稳低温状态，延长了油路元件的使用寿命
- 先进高效的压射油路，比例流量控制，提高压铸产品的成品率
- 射出力、锁模力大，压铸产品致密性好
- 独有的比例式液压系统，使开 / 锁模、顶针扣咀等动作的速度及压力都可以调整到最佳状态
- 低压锁模保护功能，保护模板及模具
- 安全门及光幕开关，确保安全生产
- 专利无烟窗节能熔炉，省油 30% 以上

- Maximum air injection speed $\geq 6\text{m/s}$.
- First and second platen adopt box board or reinforced plate structure. high stiffness and light weight.
- Hydraulic mold adjustment, to make sure precision for position control reached 0.1mm .
- Newest MH-6117 colorful computer control, store up to 150 sets of mold data, auto alarm when problem happen, easy for maintenance and repair.
- Fast mold locking function, the production cycle is reduced effectively.
- Auto lubrication system, more reliable.
- Reliable and durable European and Japanese famous brand hydraulic spare part.

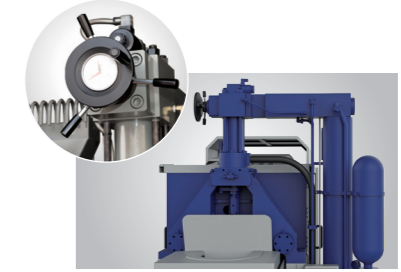
- Special oil temperature sensor, stable and low temperature control. make sure spare parts longer time.
- Advanced and high effective hydraulic circuit for injection and proportional flow rate control is adopted.
- Strong locking, injection and ejection force, make sure casting product solid and dense.
- Proportional hydraulic design, make sure any speed and pressure can be adjusted freely to achieved their best status.
- Protect function of low-pressure stage of mold locking, protected mold platens and mold.
- Safety door, also adopt light sensor, more safe.
- Patent furnace, no chimney and energy-saving above 30%.



全自动电脑数控
Auto computer controller



坚固耐用的模板、强劲的机铰
Reliable mold platen, strong hinge



强有力的射料系统
Strong injection design



坚固耐用的热作件
Reliable hot-work spare part



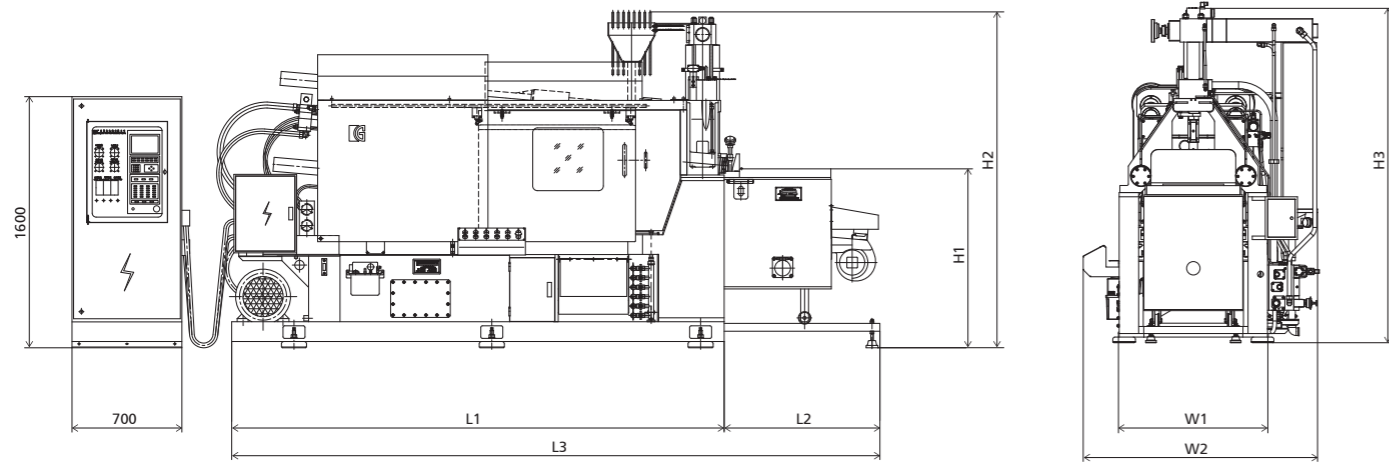
可靠耐用的欧日品牌液压元件
Reliable European and Japanese hydraulic valve

Technical parameter

技术参数

			HDZ30	HDZ50	HDZ88	HDZ130	HDZ168	HDZ200	HDZ280	HDZ400
锁模力	Clamping force	kN	300	500	880	1300	1680	2000	2800	4000
锁模行程	Clamping stroke	mm	180	220	270	280	380	395	505	450
顶出力	Ejection force	kN	34	45	55	73	85	100	120	195
顶出行程	Ejection stroke	mm	50	60	60	70	85	100	125	125
模具厚度 (最小 - 最大)	Mold thickness (Min-Max)	mm	80/300	80/320	127/350	160/450	200/500	250/550	200/640	300/750
模板尺寸 (水平 × 垂直)	Platen size (Horizontal x Vertical)	mm	410*424	455*473.5	530*530	595*625	685*687.5	740*740	840*840	980*1005
拉杆内间距 (水平 × 垂直)	Tie bar spacing (Horizontal x Vertical)	mm	275*275	310*310	360*360	410*410	450*450	510*510	560*560	620*620
拉杆直径	Tie bar diameter	mm	45	50	60	75	85	90	100	130
压射力	Injection force	kN	45	60	70	100	110	120	160	200
射料行程	Injection stroke	mm	120	130	130	140	160	165	180	230
锤头直径	Plunger tip diameter	mm	36/40	40/45	50/55	55/60	60/65	60/70	70/75	70/80/90
射料量 (锌)	Injection volume (Zinc)	kg	0.6/0.7	0.8/0.9	1.1/1.3	1.6/1.9	1.8/2.2	2.3/2.8	3.0/4.0	4.4/5.7/7.2
离咀行程	Traverse stroke	mm	160	190	210	210	210	240	190	340
坩埚容量	Crucible capacity	kg	250	300	350	350	350	500	500	1350
电炉容量	Electrical furnace capacity	kg	300	300	300	300	300/450	450	450	1300
铸造压力	Casting pressure	MPa	44.1/35.7	47.6/37.7	35.6/29.5	42.1/35.4	38.9/33.1	42.4/31.2	41.6/36.2	51.9/39.8/31.5
铸造面积	Casting area	cm ²	68/84	105/133	247/299	309/367	431/507	472/641	673/773	771/1005/1270
压射位置	Injection position	mm	0/-40	0/-50	0/-50	0/-65	0/-80	0/-100	0/-100	0/-125
系统工作压力	System working pressure	MPa	12.5	14.5	14.5	14.5	14.5	14.5	14.5	14.5
电机功率	Motor power	kW	7.5	7.5	11	15	18.5	15	22	22
电炉功率	Electrical furnace power	kW	21	21	24	24	24	27	36	60
油箱容量	Oil tank capacity	L	180	200	225	250	400	430	400	580
机器重量	Machine weight	T	2.5	3	4	5	6	7.8	10	16
机器外形尺寸 (长 × 宽 × 高)	Overall dimension (L × W × H)	mm	3305*1370*1700	3645*1410*1770	3808*1437*2055	4129*1460*2100	4515*1531*2214	5200*1690*2450	4915*1690*2145	7000*2200*2950

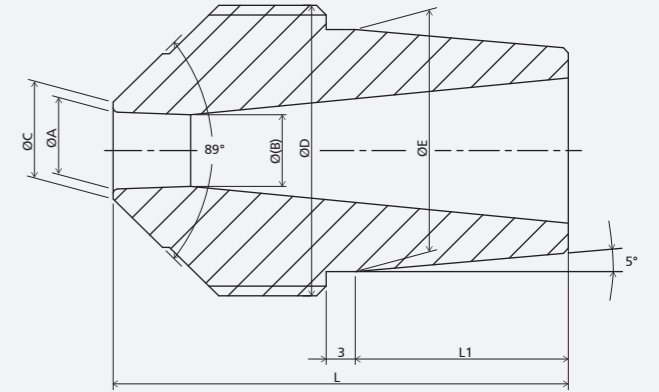
机身尺寸示意图 Machine Outline Dimensions



机型	L1	L2	L3	H1	H2	H3	W1	W2
HDZ30	2525	780	3305	905	1700	1700	804	1370
HDZ50	2735	910	3645	974	1990	1770	864	1410
HDZ88	2820	988	3808	955	1920	2055	930	1437
HDZ130	3137	992	4192	1033	1999	2100	950	1460
HDZ168	3550	965	4515	1102	2118	2214	1056	1531
HDZ200	3840	965	4805	1047	2369	2369	1050	1686
HDZ280	3950	965	4915	1095	2145	2060	1056	1531
HDZ400	5230	1000	6230	1230	2700	2950	1530	2200

射咀尺寸示意图 Nozzle Dimensions

L1	22		25							
L1	47		55							
øE	ø25		ø32							
øD	M30×2		M39×2.5							
øA	5	6	7	8	9	10	11	12	13	14
ø(B)	4.4	5.4	6.4	7.4	8.4	9.4	10.4	11.4	12.65	13.65
øC	7	8	9	10	11	12	13	14	15	16
适用机型	HDZ30		HDZ130							
	HDZ50		HDZ88		HDZ168		HDZ200/ HDZ280			



射咀身尺寸示意图 Nozzle Body Dimensions

机型	L	L1	L2	L3	øA	øB	øC	øD
HDZ30	250	25	44	25	ø42	ø12	M46*3	ø40
HDZ50	250	25	44	25	ø42	ø12	M46*3	ø40
HDZ88	270	35	44	25	ø48	ø14	M48*3	ø40
HDZ130	290	35	44	25	ø48	ø14	M48*3	ø40
HDZ168	310	35	44	25	ø48	ø16	M48*3	ø40
HDZ200	336	45	61	28	ø55	ø16	M55*3	ø47
HDZ280	382	35	60	28	ø58	ø18	M60*3	ø54

